



COOKING EQUIPMENT

SERVING THE FOOD INDUSTRY SINCE 1951

QUARTZ ADJUSTABLE SINGLE SALAMANDER

Item: 39581

Model: CE-CN-1506-S

Item: 43450

Model: CE-CN-0580-S



*High Performance
and Quality
Single Salamander*

Item 39581 shown



Item 43450 only



Authorized Dealer

COOKING EQUIPMENT

QUARTZ ADJUSTABLE SINGLE SALAMANDER

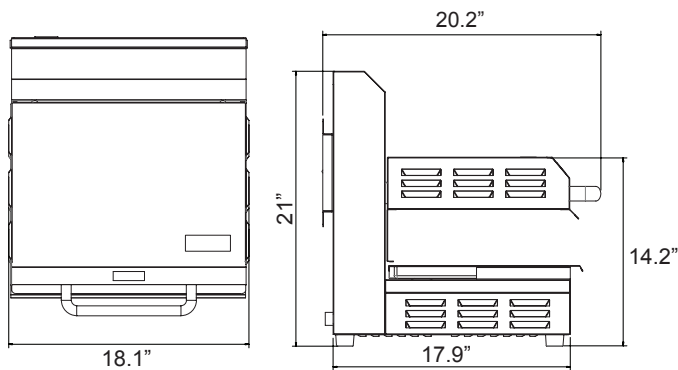


Detail images and features:

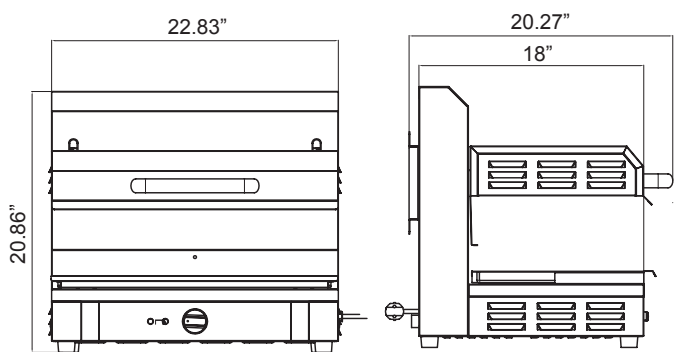


- Quick quartz heating from top
- Adjustable top grill for quick cooking with minimal heat loss
- Removable base tray
- Rubber feet
- Wall mount kit included
- Adjustable heating supply
- Built with stainless steel

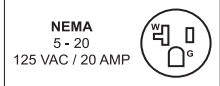
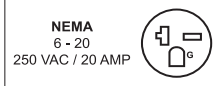
Model CE-CN-1506-S
Item 39581



Model CE-CN-0580-S
Item 43450



SINGLE ADJUSTABLE SALAMANDER

ITEM NUMBER	39581	43450
MODEL	CE-CN-1506-S	CE-CN-0580-S*
MATERIAL	Stainless Steel	Stainless Steel
WARMING BASE	14" x 17.71" / 355 x 450 mm	14" x 21" / 355 x 533 mm
POWER	1.8 kW	3.2 kW
TEMPERATURE	60 ° - 300 °C / 140 ° - 572 °F	60 ° - 300 °C / 140 ° - 572 °F
ELECTRICAL	120V / 60Hz / 1Ph	240V / 60Hz / 1
WEIGHT	72.8 lbs. / 33 kg.	107 lbs. / 48.5 kg
PACKAGING WEIGHT	77 lbs. / 35 kg.	112.4 lbs. / 51 kgs
DIMENSIONS (DWH)	20.2" x 18.1" x 21" / 513 x 460 x 533 mm	20.27" x 22.83" x 20.86" / 515 x 580 x 530 mm
PACKAGING DIMENSIONS	22" x 22" x 20" / 559 x 559 x 508 mm	24.8" x 22.44" x 22.44" / 630 x 570 x 570 mm
PLUG	 <p>NEMA 5 - 20 125 VAC / 20 AMP</p>	 <p>NEMA 6 - 20 250 VAC / 20 AMP</p>

*QPS Approved

OMCAN INC.

Telephone: 1-800-465-0234
 Fax: (905) 607-0234
 E-mail: sales@omcan.com
 Website: www.omcan.com



Follow us to keep up to date with the latest news and offers

